


Model G56PT
Specifications:

Unique energy delivery system driven by controlled hot air flow designed for high volume operation. Offers minimum preheat time; no recovery time; consistent selected temperatures; high quality production, and menu versatility. Available in natural or propane gas.


Standard Features:

- Stainless Steel Front, Sides, Top, and Legs
- Porcelainized Control Panel
- Full Deck Width, Balanced Spring-Loaded Door
- Stainless Steel Perforated Deck
- Adjustable Legs
- Electronic Ignition
- Snap Action Thermostat (550° F Max.)
- Heat Control Damper System
- Forced Air Combustion Burner; 80,000 BTU
- Single Speed Fan with ¾ HP Motor
- 55.5" W x 35.75" D Deck Surface
- 63" W x 45" D Floor Space
- 53" W x 7½" H Door Opening
- One Year Limited Parts and Labor Warranty (USA & Canada only)

Optional Features:

- Stainless Steel Back
- Direct Connect Vent - No charge


Model G56PT/B

Garland Commercial Industries, Inc.
 185 East South Street
 Freeland, Pennsylvania 18224
 Phone: (570) 636-1000
 Fax: (570) 636-3903

Garland Commercial Ranges Ltd
 1177 Kamato Road, Mississauga, Ontario
 L4W 1X4 CANADA
 Phone: 905-624-0260
 Fax: 905-624-5669

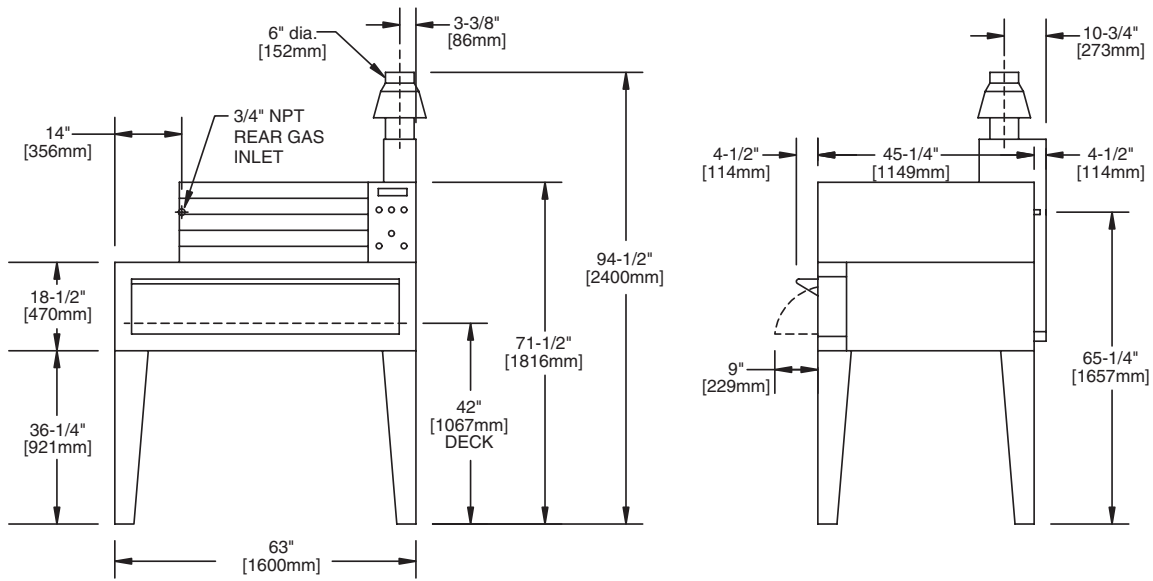
Enodis UK LTD
 Swallowfield Way, Hayes, Middlesex
 UB3 1DQ ENGLAND
 Telephone: 081-561-0433
 Fax: 081-848-0041



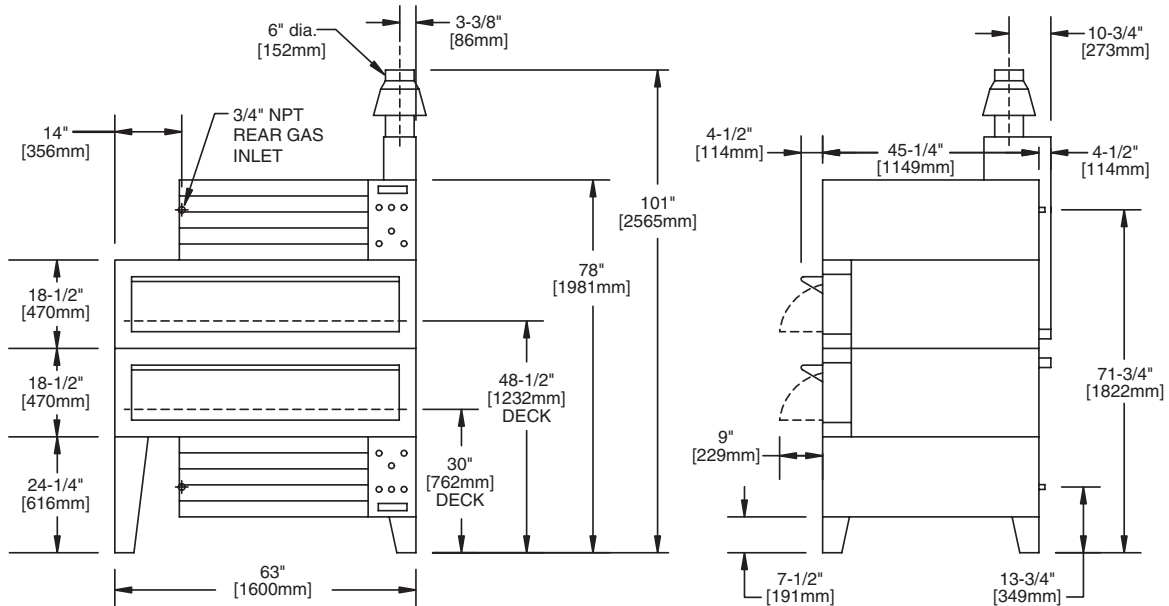
Item #: _____

Models: G56PB, G56PT, G56PT/B

Product Name: Air-Deck™ Gas Deck Oven



Single deck with top power module and Direct Connect Venting.



Double Deck: (1) top power module, (1) bottom power module and Direct Connect Venting.

MODEL	INPUT (BTU)	DECK : In (mm)		PIZZA CAPACITY	MOTOR	Ship WT. lb/Kg
		WIDTH	DEPTH			
G56PB	80,000	35.75(908)	55.5(1410)	(6) 18"	120V, 1PH, 60Hz 15 Amps (1 per deck)	1000 /455
G56PT	80,000	35.75(908)	55.5(1410)	(6) 18"		1000 /455
G56PT/B	160,000	2@35.75(908)	2 @55.5(1410)	(12) 18"		2000 /910

Gas input ratings shown here are for installations tip to 2,000 feet (610mm) above sea level. BTU input ratings must be derated for high altitude installations.

OPERATING PRESSURE		MINIMUM CLEARANCES				
		Installation to Combustible Wall			Entry	
Nat	Pro	Sides	Rear	Base	Crated	Uncrated
3.5" WC	10.0" WC	6" (152mm)	6" (152mm)	8" (203mm)	45" (1143mm)	35-1/2" (902mm)

Continuous product improvement is a Garland policy.